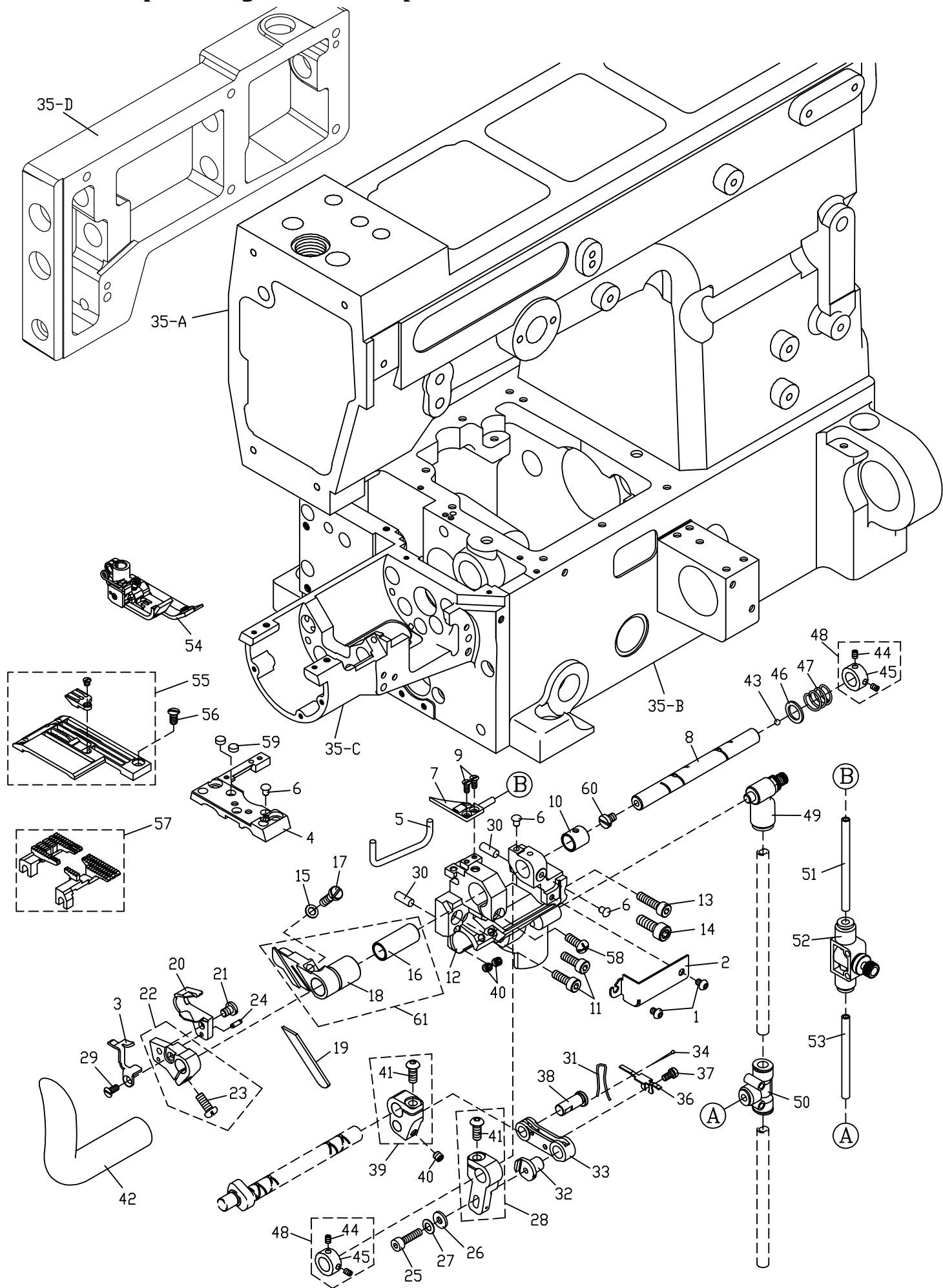


1. CT9811 / CTD9811 / CTU9811 下刀驅動構列表

Left Hand U pier Driving Mechanise Components For CT9811 / CTD9811 / CTU9811



1. CT9811 / CTD9811 / CTU9811 下刀驅動構列表

Left Hand Upier Driving Mechanise Components For CT9811 / CTD9811 / CTU9811

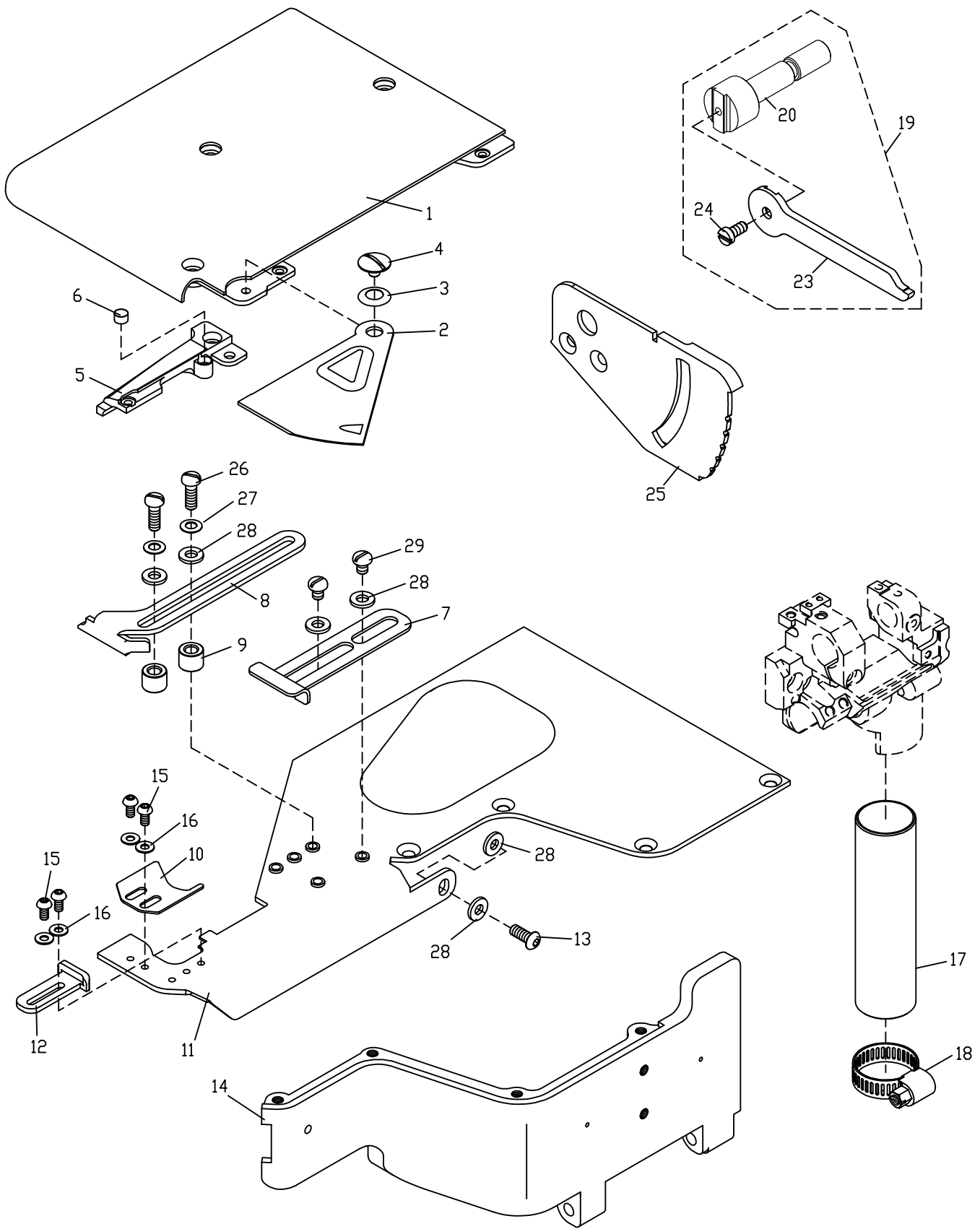
| 序號 Ref.No. | 物料編號 Parts No. | 名稱 Description | 單位用量 Amt .Req. |
|---------------|-------------------|-----------------------------------|-------------------|
| 1 | 8MP03200606A | 螺絲 Screw (MT0142 M3-0.5*6) | 2 |
| 2 | 2268110102 | 護蓋 Cover | 1 |
| 3 | 22681101031 | 護指擋片 Safety Plate Holder | 1 |
| 4 | 2268110104 | 針板座 Needle Plate Seat | 1 |
| 5 | 2268110105 | 油封 Seal | 1 |
| 6 | 2260000206 | 減震橡膠 Rubber Cushion | 3 |
| 7 | 2268110107 | 吹氣管 Blow Tube | 1 |
| 8 | 2268110108 | 軸 Shaft | 1 |
| 9 | 8ME75180605A | 螺絲 Screw (UH0421 M2.5-0.45*6) | 2 |
| 10 | 2268110110 | 軸襯 Bushing | 1 |
| 11 | 8MM04281207A | 螺絲 Screw (CT0202 M4-0.7*12) | 2 |
| 12 | 2268110112 | 刀台 Lower Knife Holder Bracket | 1 |
| 13 | 8MM04281607A | 螺絲 Screw (FT0202 M4-0.7*16) | 1 |
| 14 | 8MM05321409A | 螺絲 Screw (CT0632 M5-0.8*14) | 1 |
| 15 | 2206110148 | 墊圈 Washer | 1 |
| 16 | 2268110116 | 軸襯 Bushing | 1 |
| 17 | 8MB04281307A | 螺絲 Screw (CT9311-01-17 M4-0.7*13) | 1 |
| 18 | 2268110118 | 下刀刀座 Lower Knife Holder | 1 |
| 19 | 2206110119 | 下刀 Lower Knife | 1 |
| 20 | 2268110120 | 上刀 Upper Knife | 1 |
| 21 | 8MB04280607K | 螺絲 Screw (MT0223 M4-0.7*6) | 1 |
| 22 | 2268110122 | 上刀座 Upper knife Holder | 1 |
| 23 | 8MB04281007K | 螺絲 Screw (CT1237 M4-0.7*10) | 1 |
| 24 | 90SP0206T | 彈簧銷 Spring Pin | 1 |
| 25 | 8MM85241407A | 螺絲 Screw (NT670829 M3.5-0.6*14) | 1 |
| 26 | 2268110126 | 墊圈 Washer | 1 |
| 27 | 90DW040 | 孟型墊圈 Dick Washer | 1 |
| 28 | 2268110128 | 變距曲柄 Upper Knife Adjusting Lever | 1 |
| 29 | 8ME03200706X | 螺絲 Screw (CT02351 M3-0.5*7) | 1 |
| 30 | 90ST0410 | 定位銷 Knock Pin | 2 |
| 31 | 66800 | 油線 Oil Wick | 1 |
| 32 | 2268110132 | 曲柄銷 Adjusting Lever Pin | 1 |
| 33 | 2268110133 | 連桿 Link | 1 |
| 34 | 2206110135 | 銷 Oil Wick Pin | 1 |
| 35 | ----- | 車頭 Frame Unit | 1 |
| 35-A | ----- | 車頭上座 Upper Frame Unit | 1 |
| 35-B | 2260000135B | 車頭下座 Lower Frame Unit | 1 |
| 35-C | 2268110135C | 前車頭下座 From Lower Frame Unit | 1 |
| 35-D | ----- | 後車頭上座 | 1 |
| 36 | 2268110136 | 檔片 Defender | 1 |
| 37 | 8MB03200606K | 螺絲 Screw (CT1207 M3-0.5*6) | 1 |
| 38 | 2268110138 | 連結銷 Link Pin | 1 |
| 39 | 2268110139 | 連桿 Link | 1 |
| 40 | 8MN04280400A | 螺絲 Screw (CT0229 M4-0.7*4) | 3 |
| 41 | 8MP04281008A | 螺絲 Screw (MT0250 M4-0.7*10) | 2 |
| 42 | 2268110142 | 吸風管 Suction Pipe | 1 |
| 43 | 2100001404 | 孔塞 Plug | 1 |
| 44 | 8MN03200300A | 螺絲 Screw (CT0115 M3-0.5*3) | 4 |
| 45 | 2210000534 | 隔環 Collar | 2 |
| 46 | 2280690251 | 墊圈 Washer | 1 |
| 47 | 2206110131 | 彈簧 Spring | 1 |
| 48 | 221A0000563 | 定位環組 Collar Asm.(F0534A) | 2 |
| 49 | 2273110141 | 節流閥 Speed Controller | 1 |
| 50 | 4WPC000101 | T 型管接頭 T Connector | 1 |
| 51 | 91060101007 | φ4空氣管 Air Tube (L= 230mm) | 1 |
| 52 | 4WPC000114 | 節流閥 Speed Controller | 1 |
| 53 | 91060101007 | φ4空氣管 Air Tube (L= 600mm) | 1 |
| *54 | ----- | 壓腳組 Presser Foot Asm. | 1 |
| *55 | ----- | 針板組 Needle Plate Asm. | 1 |
| 56 | 8SF36400706C | 螺絲 Screw (CT0712 9/64"-40*7.5) | 1 |
| *57 | ----- | 送布齒組 Feed Dog Asm. | 1 |
| 58 | 8MC04281007D | 螺絲 Screw (CT0113 M4-0.7*10) | 1 |
| 59 | 2260000255 | 磁鐵 Magnet | 2 |
| 60 | 8MB04280507K | 螺絲 Screw (FT0235 M4-0.7*5) | 1 |
| 61 | 226811A0161 | 下刀刀座組 Lower Knife Holder Set. | 1 |

* : 請翻閱第5頁 * : Please Refer To Page 5 For More Details

| 序號 Ref.No. / 機型 Model | CT9811 | CTD9811 | CTU9811 |
|-----------------------|-------------|-------------|-------------|
| 35 | 2268110135 | 2248110135 | 2249110135 |
| 35-A | 2270000135A | 2240000135A | 2244110135A |
| 35-D | - | - | 2274110135C |

2. CT9811 / CTD9811 / CTU9811 護蓋及各項導模列表

Conservation Covers And Guide Components For CT9811 / CTD9811 / CTU9811

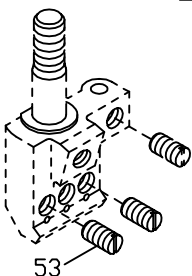
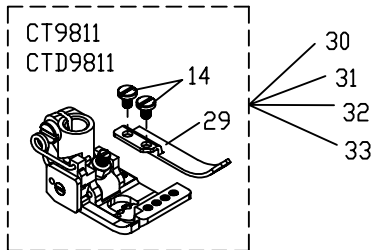
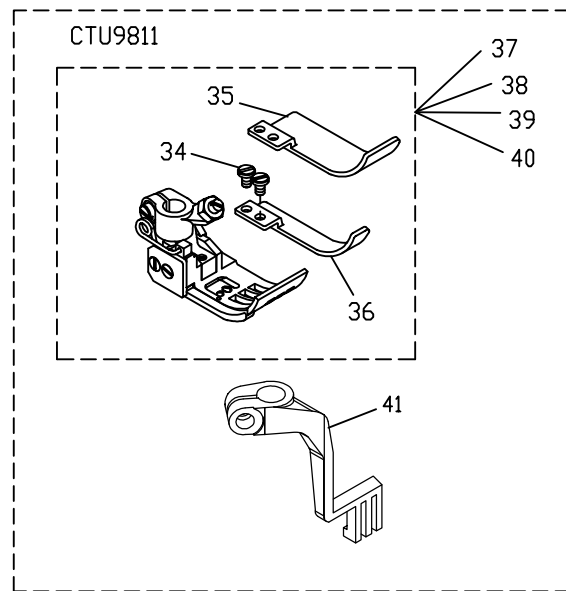
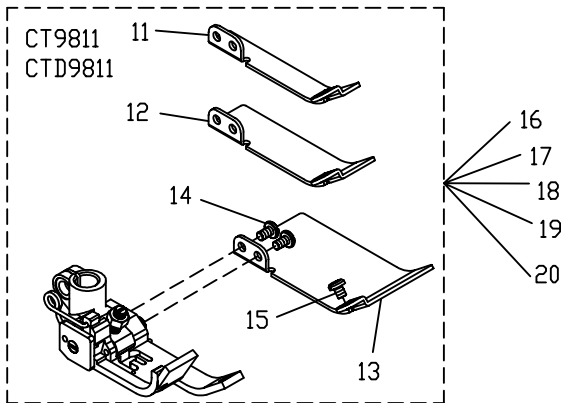
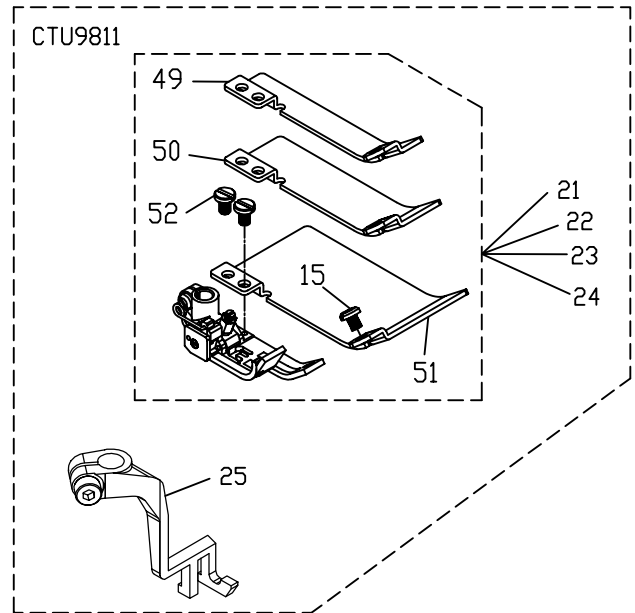
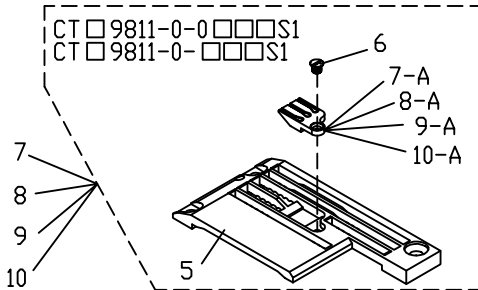
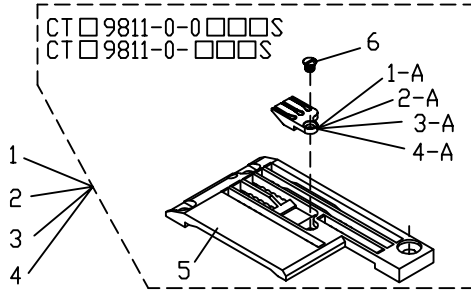
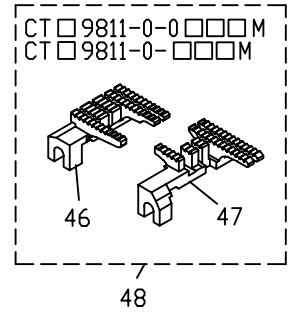
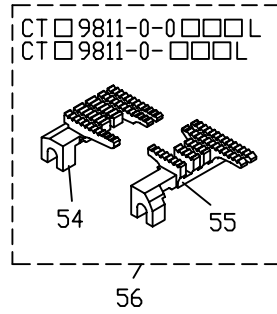
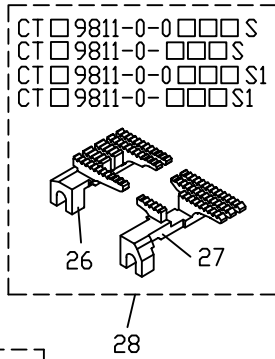
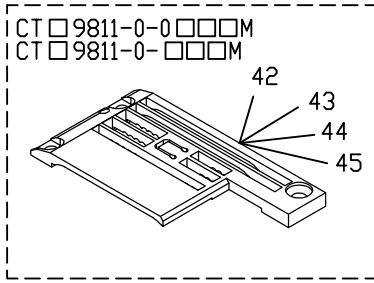


2. CT9811 / CTD9811 / CTU9811 護蓋及各項導模列表

Conservation Covers And Guide Components For CT9811 / CTD9811 / CTU9811

| 序號 Ref.No | 物料編號 Parts No. | 名稱 Description | 單位用量 Amt.Req. |
|--------------|-------------------|-----------------------------------|------------------|
| 1 | 22681102011 | 下軸外蓋 Cloth Plate ----- | 1 |
| 2 | 2268110202 | 防塵蓋 Dust Cover ----- | 1 |
| 3 | 2200000124 | 孟形墊圈 Disc Washer ----- | 1 |
| 4 | 8MC04280512B | 螺絲 Screw (C90232 M4-0.7*5) ----- | 1 |
| 5 | 2268110205 | 滑道 Guide ----- | 1 |
| 6 | 2270000202 | 磁鐵 Magnet ----- | 1 |
| 7 | 2273110207 | 導模 Edge Guide ----- | 1 |
| 8 | 2268110208 | 導模 Edge Guide ----- | 1 |
| 9 | 2273110209 | 間隔環 Space Washer ----- | 2 |
| 10 | 2268110210 | 護蓋 Cover ----- | 1 |
| 11 | 2268110211 | 護線蓋 Cloth Plate ----- | 1 |
| 12 | 2268110212 | 導模 Edge Guide ----- | 1 |
| 13 | 8MP04281008A | 螺絲 Screw (MT0250 M4-0.7*10) ----- | 1 |
| 14 | 2268110214 | 下座前蓋 Front Cover ----- | 1 |
| 15 | 8MP03200606A | 螺絲 Screw (MT0142 M3-0.5*6) ----- | 4 |
| 16 | 2210000547 | 墊圈 Washer ----- | 4 |
| 17 | 2268110217 | 吸風管 Suction Pipe ----- | 1 |
| 18 | 2273110102 | 管束 Hose Clamp ----- | 1 |
| 19 | 226A8110219 | 差動變換桿組 Lever Set ----- | 1 |
| 20 | 2260001126 | 差動游標軸 Shaft ----- | 1 |
| 21 | ----- | ----- | - |
| 22 | ----- | ----- | - |
| 23 | 2273110338 | 差動變換桿 Lever ----- | 1 |
| 24 | 8MB04280807K | 螺絲 Screw (CT0215 M4-0.7*8) ----- | 1 |
| 25 | 2273110339 | 差動刻記板 Regulator Plate ----- | 1 |
| 26 | 8MB04281207K | 螺絲 Screw (CT0239 M4-0.7*12) ----- | 2 |
| 27 | 90DW040 | 孟型墊圈 Dick Washer ----- | 2 |
| 28 | 2100000223 | 墊圈 Washer ----- | 6 |
| 29 | 8MB04280507K | 螺絲 Screw (FT0235 M4-0.7*5) ----- | 2 |

3. CT9811 / CTD9811 / CTU9811 車型定規列表 Gauge Parts List



53. 螺絲用量列表 Screw Req.

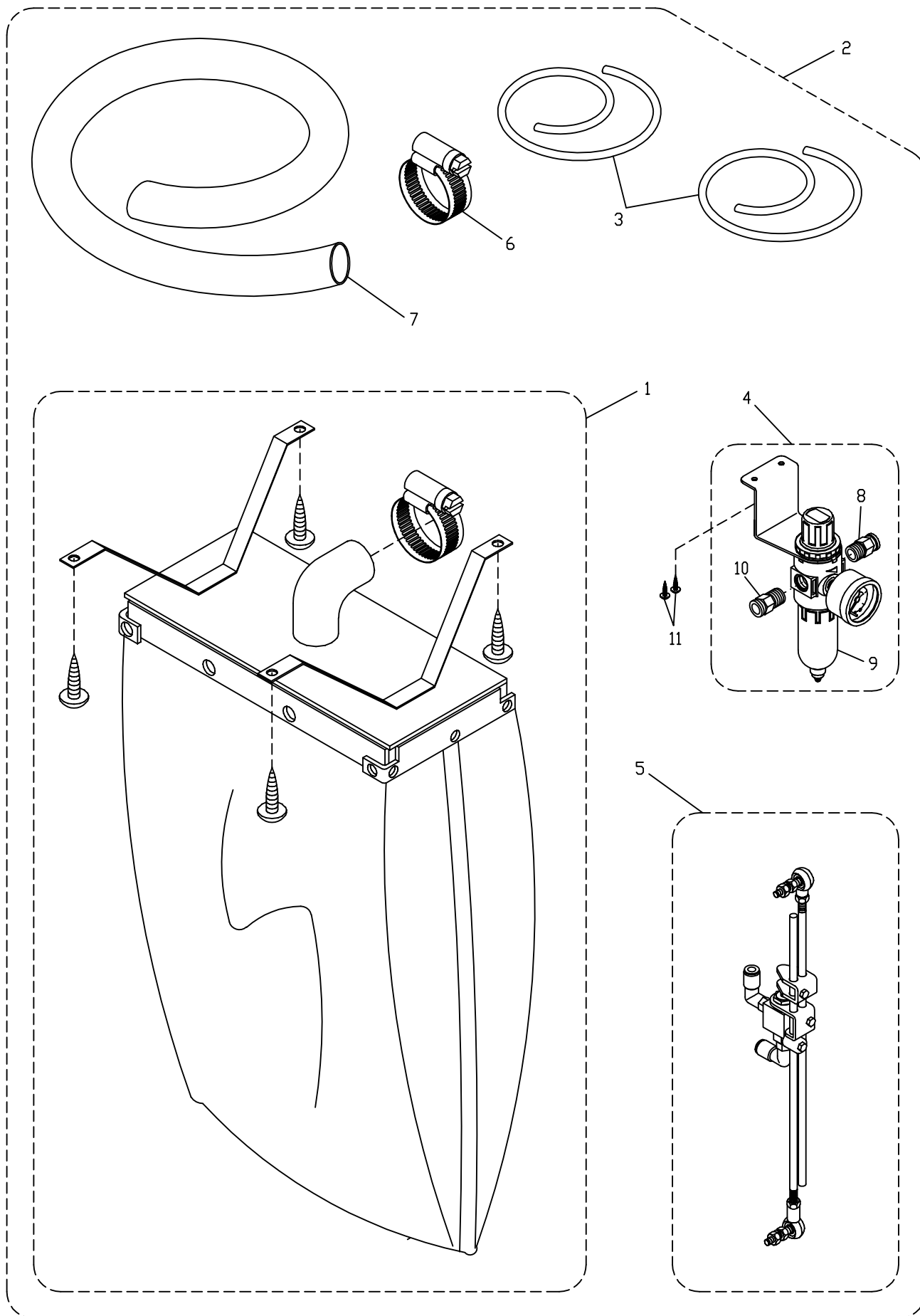
| | 針數 Number Of Needle / 針距 Distance Of Needles | | | |
|-------------------|--|---|--|----------------|
| | 2 Needle / 4.0 | 3 Needle / 4.8 | 3 Needle / 5.6 | 3 Needle / 6.4 |
| 物料編號 Parts No. | 8SH32440300A (SH0465 1/8"-44*2.5) | 8SG24560300A (FT60-01-30 3/32"-56*2.3) | 8SH32440300A (SH0465 1/8"-44*2.5) | |
| 單位用量 Amt. Req. | 2 | | 3 | |

3. CT9811 / CTD9811 / CTU9811 車型定規列表 Gauge Parts List

| 序號 Ref.No. | 物料編號 Parts No. | 名稱 Description | 單位用量 Amt. Req. |
|---------------|-------------------|--|-------------------|
| 1 | 5226TPL1400 | 針板組 Throat Plate Asm (4.0) | 1 |
| 1-A | 5222TPL140A | 針板舌 Stitch plate Tongue (4.0) | 1 |
| 2 | 5226TPL1480 | 針板組 Throat Plate Asm (3 needle 4.8) | 1 |
| 2-A | 5222TPL148A | 針板舌 Stitch plate Tongue (3 needle 4.8) | 1 |
| 3 | 5226TPL1560 | 針板組 Throat Plate Asm (5.6) | 1 |
| 3-A | 5222TPL156A | 針板舌 Stitch plate Tongue (5.6) | 1 |
| 4 | 5226TPL1640 | 針板組 Throat Plate Asm (6.4) | 1 |
| 4-A | 5222TPL164A | 針板舌 Stitch plate Tongue (6.4) | 1 |
| 5 | 5226TPL156B | 針板 Throat Plate | 1 |
| 6 | 8SE24560303A | 螺絲 Screw (CT3110159 3/32"-56*2.7) | 1 |
| 7 | 5226TPL1401 | 針板組 Throat Plate Asm (4.0) | 1 |
| 7-A | 5222TPL140C | 針板舌 Stitch plate Tongue (4.0) | 1 |
| 8 | 5226TPL1481 | 針板組 Throat Plate Asm (3 needle 4.8) | 1 |
| 8-A | 5222TPL148C | 針板舌 Stitch plate Tongue (3 needle 4.8) | 1 |
| 9 | 5226TPL1561 | 針板組 Throat Plate Asm (5.6) | 1 |
| 9-A | 5222TPL156C | 針板舌 Stitch plate Tongue (5.6) | 1 |
| 10 | 5226TPL1641 | 針板組 Throat Plate Asm (6.4) | 1 |
| 10-A | 5222TPL164C | 針板舌 Stitch plate Tongue (6.4) | 1 |
| 11 | 5222PFL156J | 輔助壓腳底 Hinged Type Presser Foot | 1 |
| 12 | 5222PFL156K | 輔助壓腳底 Hinged Type Presser Foot | 1 |
| 13 | 5222PFL156L | 輔助壓腳底 Hinged Type Presser Foot | 1 |
| 14 | 8SB24560405A | 螺絲 Screw (SH0413 3/32"-56*4) | 2 |
| 15 | 8SB24560305A | 螺絲 Screw (SH1045 3/32"-56*3) | 1 |
| 16 | 5222PFL1400 | 壓腳組 Presser Foot Asm (4.0) | 1 |
| 17 | 5222PFL1480 | 壓腳組 Presser Foot Asm (4.8) | 1 |
| 18 | 5222PFL1481 | 壓腳組 Presser Foot Asm ((3 needle 4.8)) | 1 |
| 19 | 5222PFL1560 | 壓腳組 Presser Foot Asm (5.6) | 1 |
| 20 | 5222PFL1640 | 壓腳組 Presser Foot Asm (6.4) | 1 |
| 21 | 5227PFTL1401 | 壓腳組 Presser Foot Asm (4.0) | 1 |
| 22 | 5227PFTL1481 | 壓腳組 Presser Foot Asm ((3 needle 4.8)) | 1 |
| 23 | 5227PFTL1561 | 壓腳組 Presser Foot Asm (5.6) | 1 |
| 24 | 5227PFTL1641 | 壓腳組 Presser Foot Asm (6.4) | 1 |
| 25 | 5227DGTL1560 | 送布齒 Top Feed Dog | 1 |
| 26 | 5226FDL1560 | 主送布齒 Main Feed Dog | 1 |
| 27 | 5226DFL1560 | 副送布齒 Diff Feed Dog | 1 |
| 28 | 5226DG0013 | 送布齒組 Feed Dog Set | 1 |
| 29 | 5222PF1156B | 輔助壓腳底 Hinged Type Presser Foot | 1 |
| *30 | 5222PF11400 | 壓腳組 Presser Foot Asm (4.0) | 1 |
| *31 | 5222PF11480 | 壓腳組 Presser Foot Asm (4.8) | 1 |
| *32 | 5222PF11560 | 壓腳組 Presser Foot Asm (5.6) | 1 |
| *33 | 5222PF11640 | 壓腳組 Presser Foot Asm (6.4) | 1 |
| *34 | 8SB24560404A | 螺絲 Screw (FT1001 3/32"-56*3.8) | 2 |
| *35 | 5227PFT00562K | 輔助壓腳底 Hinged Type Presser Foot | 1 |
| *36 | 5227PFT00562J | 輔助壓腳底 Hinged Type Presser Foot | 1 |
| *37 | 5227PFT00402 | 壓腳組 Presser Foot Asm (4.0) | 1 |
| *38 | 5227PFT00482 | 壓腳組 Presser Foot Asm (4.8) | 1 |
| *39 | 5227PFT00562 | 壓腳組 Presser Foot Asm (5.6) | 1 |
| *40 | 5227PFT00642 | 壓腳組 Presser Foot Asm (6.4) | 1 |
| *41 | 5227DGT00560 | 送布齒 Top Feed Dog | 1 |
| 42 | 5226TPL1402 | 針板 Throat Plate (4.0) | 1 |
| 43 | 5226TPL1482 | 針板 Throat Plate (4.8) | 1 |
| 44 | 5226TPL1562 | 針板 Throat Plate (5.6) | 1 |
| 45 | 5226TPL1642 | 針板 Throat Plate (6.4) | 1 |
| 46 | 5226FDL1561 | 主送布齒 Main Feed Dog | 1 |
| 47 | 5226DFL1561 | 副送布齒 Diff Feed Dog | 1 |
| 48 | 5226DG0014 | 送布齒組 Feed Dog Set | 1 |
| 49 | 5227PFTL156J | 輔助壓腳底 Hinged Type Presser Foot | 1 |
| 50 | 5227PFTL156K | 輔助壓腳底 Hinged Type Presser Foot | 1 |
| 51 | 5227PFTL156L | 輔助壓腳底 Hinged Type Presser Foot | 1 |
| 52 | 8SB24560404A | 螺絲 Screw (FT1001 3/32"-56*3.8) | 2 |
| 53 | ----- | 螺絲 Screw (See left page) | - |
| 54 | 5226FDL1562 | 主送布齒 Main Feed Dog | 1 |
| 55 | 5226DFL1562 | 副送布齒 Diff Feed Dog | 1 |
| 56 | 5226DG0015 | 送布齒組 Feed Dog Set | 1 |

* : 特註品 Custom-Item

4. CT9311 / CTD9311 / CTU9311 / CX2311 / CXD2311 / CXM2311 / CXU2311
 CXN2311 / CX2311-1 / CXD2311-1 / CXM2311-1 / CXU2311-1 / CXN2311-1
 CT9811 / CTD9811 / CTU9811 集塵袋組 Lint Collector



4. CT9311 / CTD9311 / CTU9311 / CX2311 / CXD2311 / CXM2311 / CXU2311
 CXN2311 / CX2311-1 / CXD2311-1 / CXM2311-1 / CXU2311-1 / CXN2311-1
 CT9811 / CTD9811 / CTU9811 集塵袋組 Lint Collector

| 序號 Ref.No. | 物料編號 Parts No. | 名稱 Description | 單位用量 Amt.Req. |
|---------------|-------------------|-------------------------------------|------------------|
| 1 | 4CV0070101 | 布袋組 Bag Asm. ----- | 1 |
| 2 | CV107 | 集塵袋組 Fabric bag Asm. ----- | 1 |
| 3 | 4CV0070103 | φ 6空氣管 Air Tube (L= 1300mm) ----- | 2 |
| 4 | 4TCS09A0309 | 調壓濾水閥組 Regulator Asm. ----- | 1 |
| 5 | 4CV0070105 | 連桿組 Link Asm----- | 1 |
| 6 | 4CV0070106 | 管束 Hose Clamp----- | 1 |
| 7 | 4CV1070107 | 氣壓管 Tube (φ 22 Connector) ----- | 1 |
| 8 | 4AL0120103 | φ 6空氣管接頭 Connector ----- | 1 |
| 9 | 4UTB0004321 | 調壓濾水閥 Regulator ----- | 1 |
| 10 | 4UTB010456 | φ 8空氣管接頭 Connector ----- | 1 |
| 11 | 8WD30000015B | 木螺絲 Wood Screw ----- | 2 |